

VARIES - MATCH CURB TYPE

NORMAL SLOPE OF PAVEMENT

4" WEEP HOLES

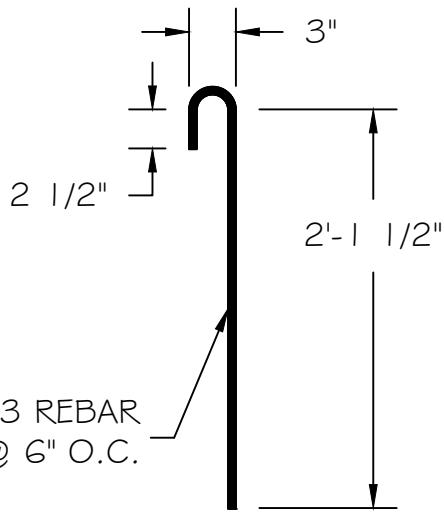
BOTTOM OF BASE ROCK

#5 BAR

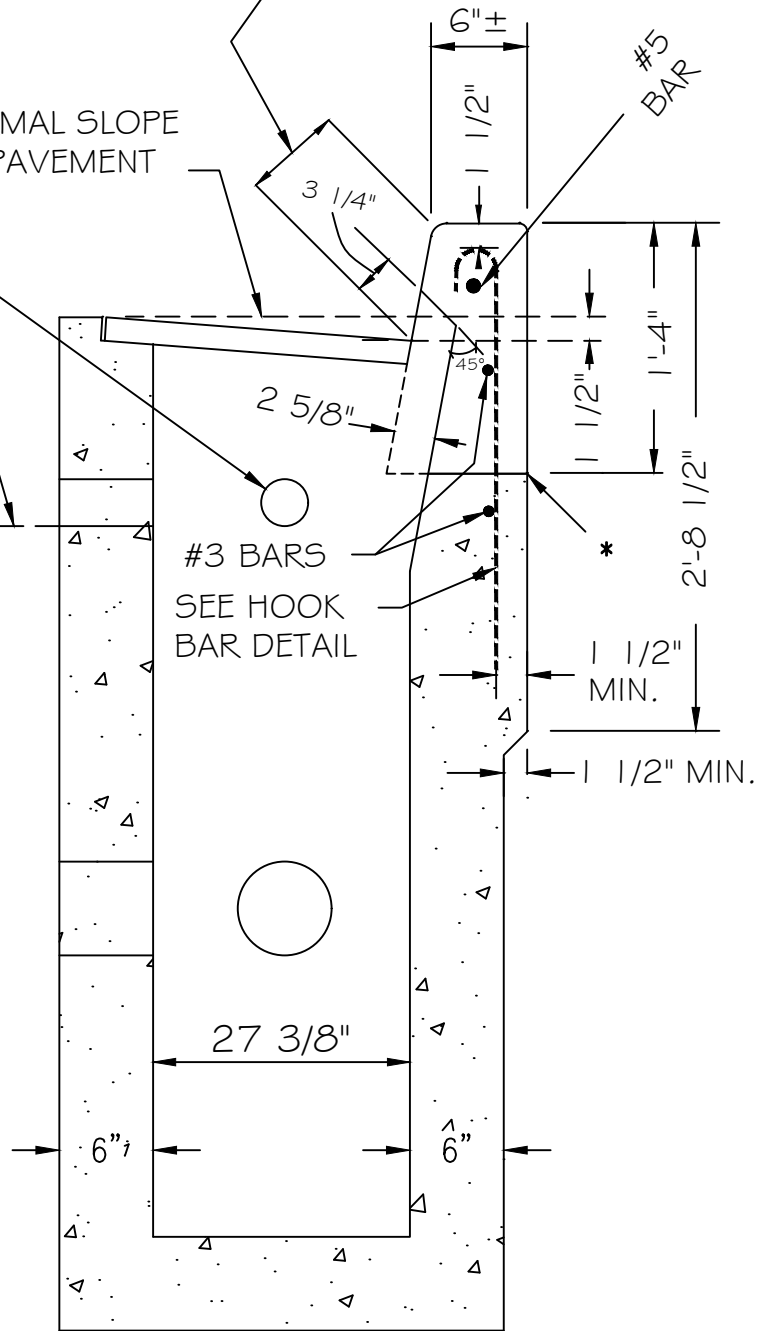
#3 BARS

SEE HOOK BAR DETAIL

\* OPTION: CONST. JOINT = 1/3 OF SURFACE AREA



HOOK BAR DETAIL



NOTE: FOR PLAN AND ELEVATION SEE DRAWINGS NO. S-2095

Detail Drawing may not be altered or changed in any manner except by the Public Works Director. It is the responsibility of the user to acquire the most current version.

CITY OF MOLALLA  
DEPARTMENT OF PUBLIC WORKS



CATCH BASIN REBAR REINFORCEMENT  
Type G-2

DRAWN BY	PDG	04/2016
CHECKED BY	JC	04/2016

S-2096